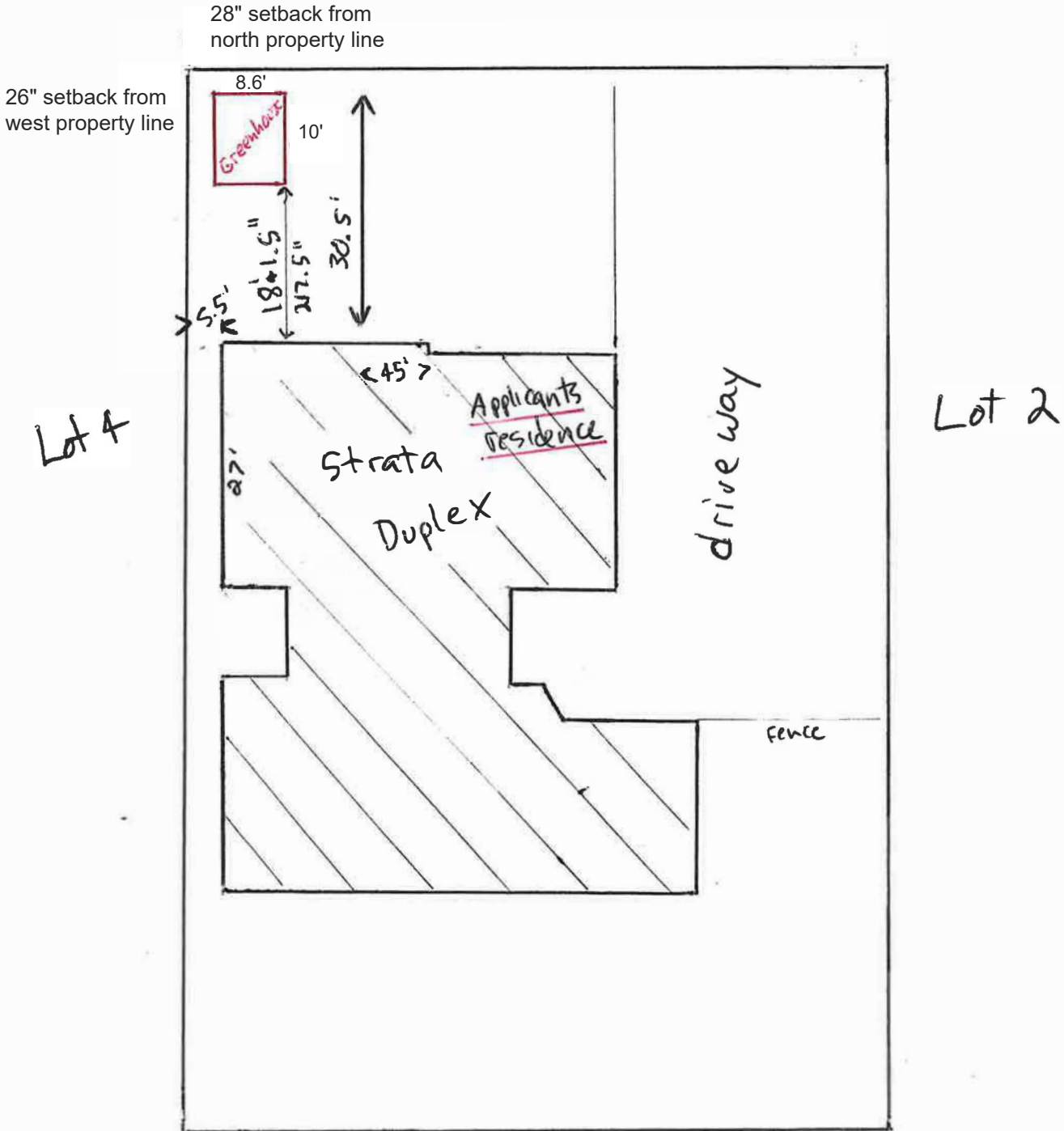


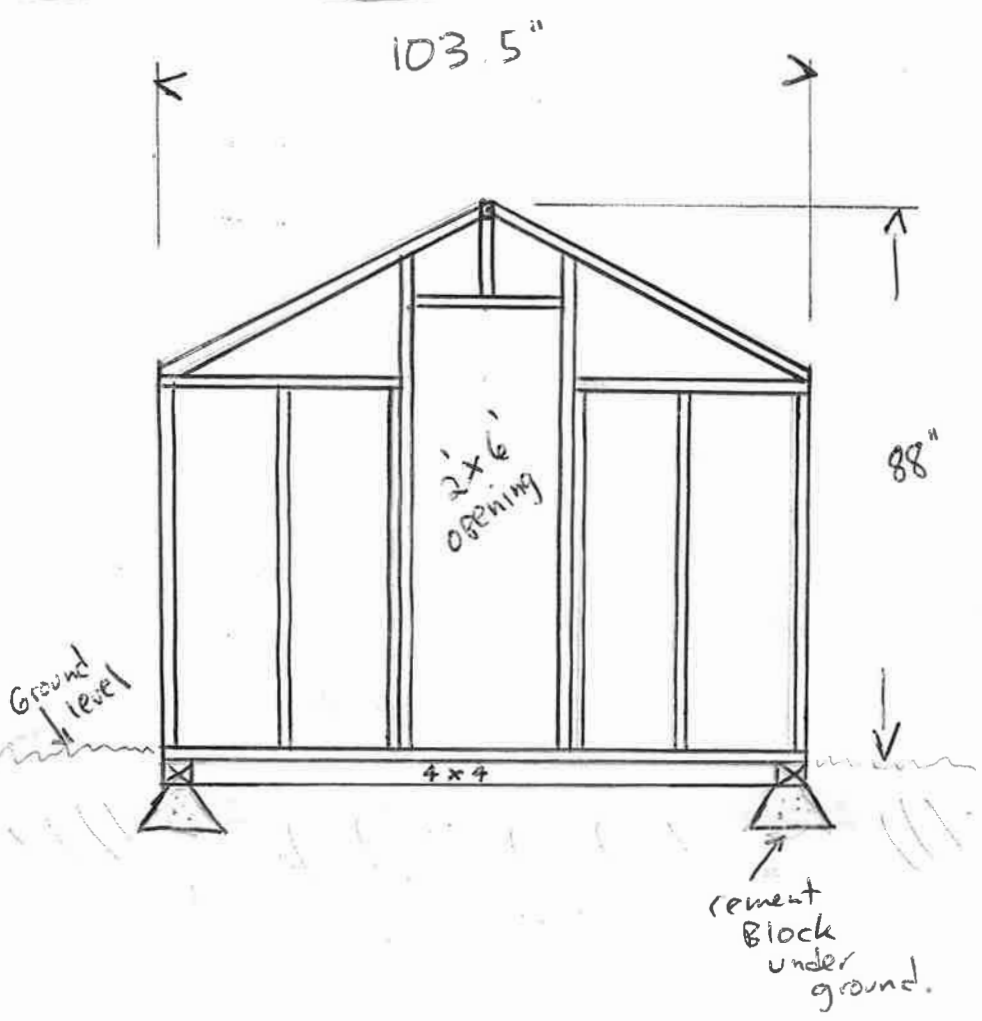
A-2042 Melville Drive, Sidney
Lot - 3
Plan - 21967



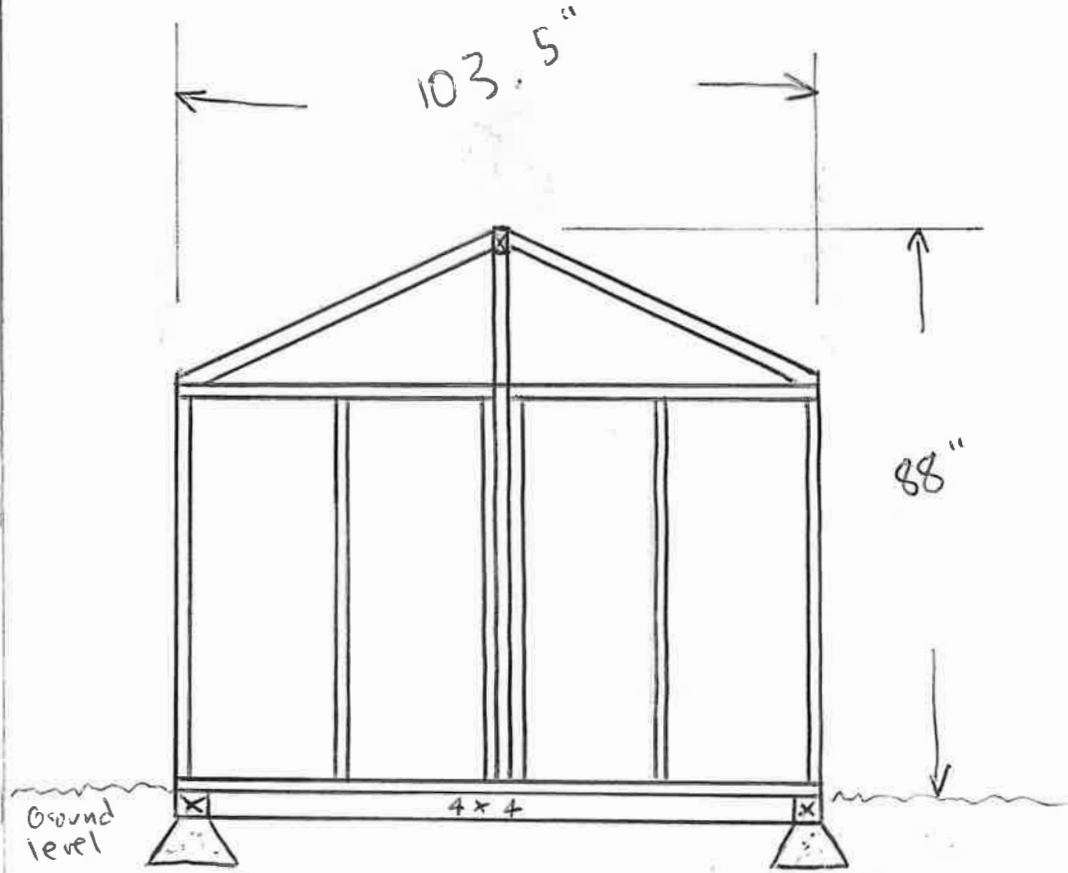
Drawings of The Green house #1

Front

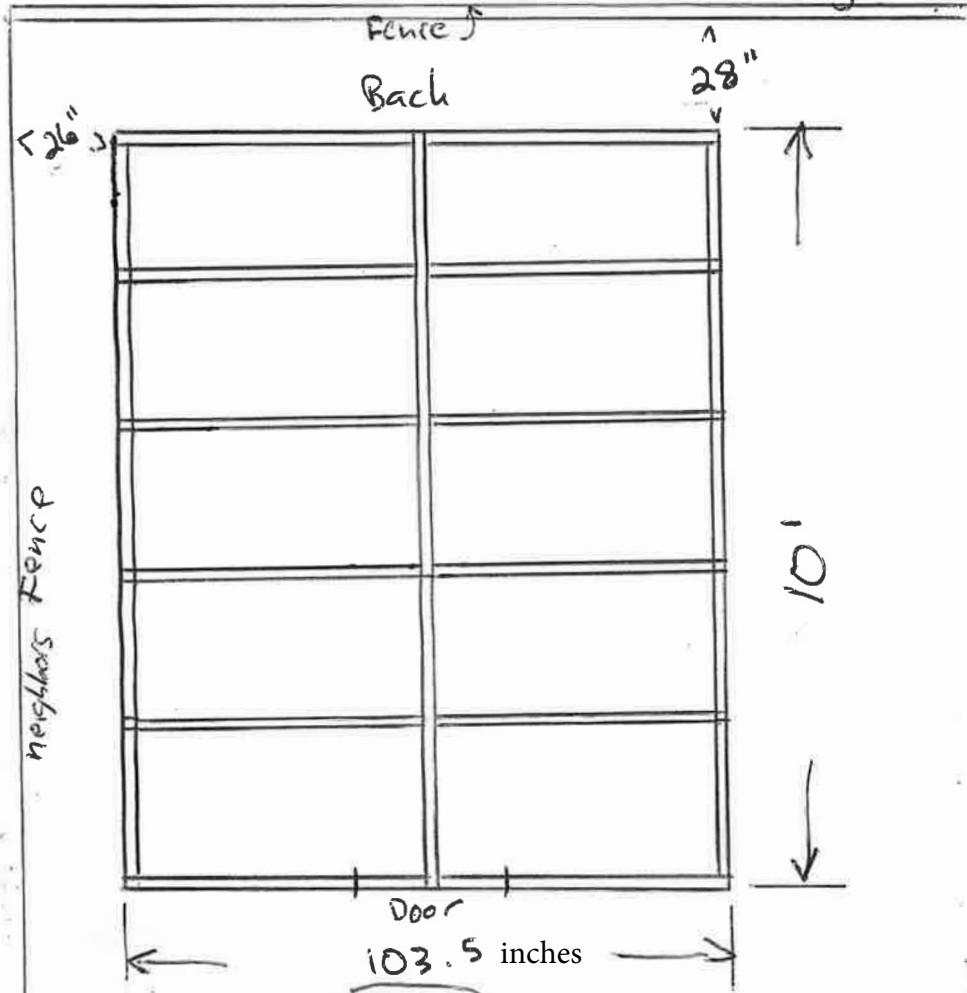
2x4 frame with clear plastic cover



Back



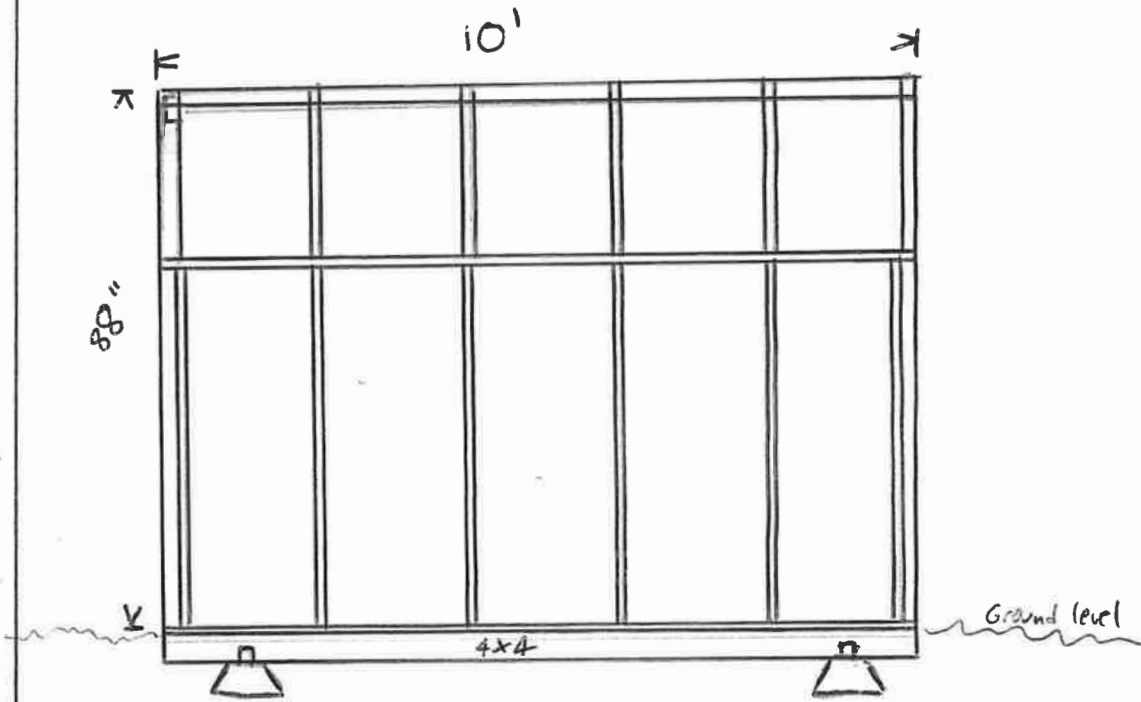
Drawings of the Greenhouse #2



Front

Top view

2x4 construction
Painted the same
color as the fence.



4x4
pressure treated
wood sitting
on small
concrete blocks

4 concrete blocks
total

Side view



